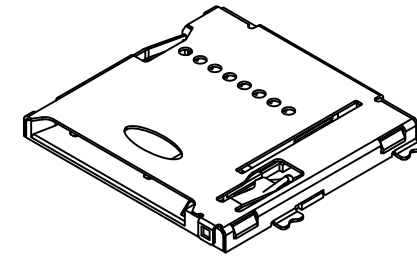


**Recommended PCB Layout**

As viewed from component side General Tolerance: ±0.05

☐ Solder Area    ⓧ Keep Out Area    □ Component Outline



**Specifications**

**Material**

- Housing: Hi-temp Thermoplastic,UL94V-0,Black
- Contact Terminal: Copper Alloy
- Metallic Shell: Stainless Steel
- Coil Spring: SWP
- Latch: Stainless Steel
- Slider: Hi-temp Thermoplastic,UL94V-0,Black
- CD Pin: Copper Alloy

**Plating**

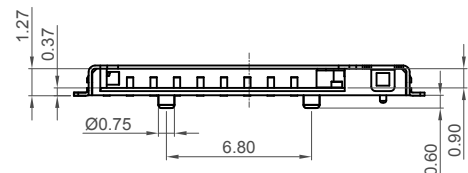
- Contact Terminal&CD Pin: Under-plating: 50µ" min. Nickel all over Contact Area: 1u" Au min Soldering Area: Gold Flash
- Metallic Shell: Under-plating: 50µ" Nickel all over Soldering Area: Gold Flash

**Electrical**

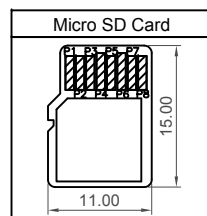
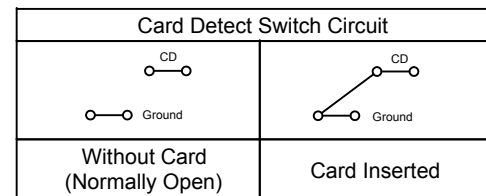
- Voltage Rating: 30V AC/DC
- Current Rating: 0.5A per pin.
- Contact Resistance: 100mΩ max.
- Insulating Resistance: 1000MΩ min.
- Dielectric Withstand Voltage: 500 V AC

**Mechanical & Environmental**

- Operating Temperature: -25°C to +85°C
- Durability: 5000 Cycles
- Lock/Release Force: 10N (1.02 kgF) max



MICRO SD CARD PIN OUT		
Pin	Name	Description
P1	DAT2	Data Bit 2
P2	CD/DAT3	Card Detect/Data Bit 3
P3	CMD	Command Line
P4	V <sub>DD</sub>	Supply Voltage 2.7v/3.6v
P5	CLK	Clock
P6	Vss	Ground
P7	DAT0	Data Bit 0
P8	DAT1	Data Bit 1
P9	CD	Card Detect



**Ordering Grid**

MEM2075 - 00 - 140 - 01 - A

[Request Samples and Quotation](#)

**Switch**

00 = Normally Open

**Locating Post**

01 = With

**Packing Options**

A = Tape & Reel (1000 per Reel)

Part Number		Product Description	
MEM2075		Micro SD Memory Card Connector, 1.40mm Profile	
Drawing Date		SMT, Push-Push, with Normally open Switch	
19th December 2017			
By	CC	Tolerances (Except as Noted)	Units:
Detail	Drawing Release	Length X.X ±0.25	Metric (mm)
Revision	A	Angle X.XX ±0.15	±1°
Date	19/12/17	X.XXX ±0.100	3rd Angle Projection



This drawing is confidential and copyright of Global Connector Technology, Ltd (GCT). This drawing must not be copied or disclosed without written consent. E & OE

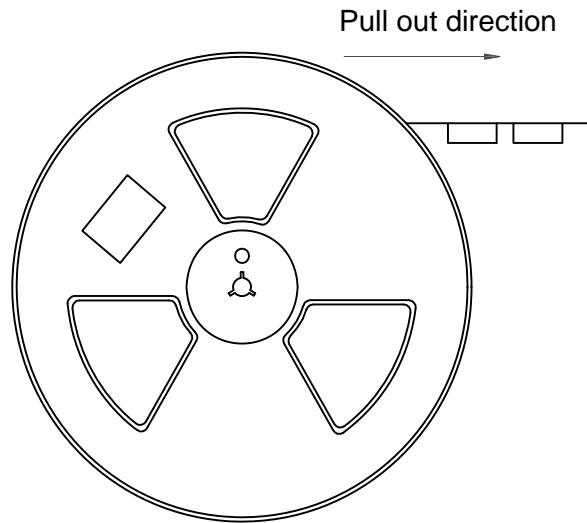
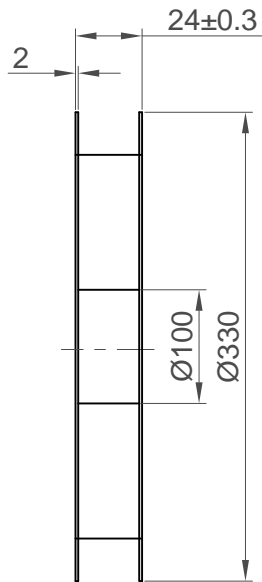


www.gct.co

Not to Scale	Drawn By CC	Sheet No. 1/2
--------------	-------------	---------------

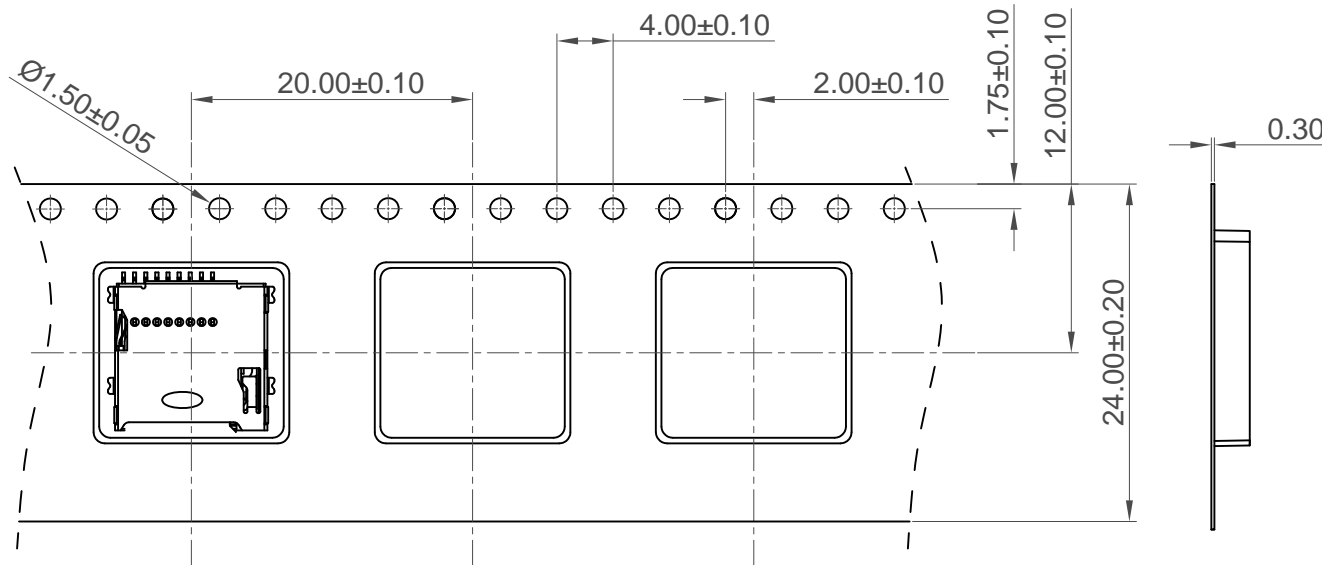
H  
G  
F  
E  
D  
C  
B  
A

1 2 3 4 5 6 7 8



Quantity: 1000 pcs/Reel

Pcs/Reel	Reels/Carton	Pcs/Carton	Carton Dimensions
1000	10	10000	345 x 345 x 315mm



Note: All dimensions meet EIA-481-B requirements.

Part Number		MEM2075		Product Description		Micro SD Memory Card Connector, 1.40mm Profile	
Drawing Date		19th December 2017		SMT, Push-Push, with Normally open Switch			
By	CC	Tolerances (Except as Noted)		Units:		RoHS COMPLIANT 2011/65/UEU	
Detail	Drawing Release	Length	Angle	Metric (mm)		© This drawing is confidential and copyright of Global Connector Technology, Ltd (GCT). This drawing must not be copied or disclosed without written consent. E & OE	
Revision	A	X.X ±0.38	±1°	3rd Angle Projection		Not to Scale	
Date	19/12/17	X.XX ±0.25				Drawn By CC	
		X.XXX ±0.100				Sheet No. 2/2	

